

12" GRAPHIC SPECIFICATIONS



- (A) PopStops® Unit
- (F) Parking Side Graphic
- (G) Back Side Graphic

BACK SIDE GRAPHIC SIZES:

Overall size = 12.25" (w) x 6.625" (h)

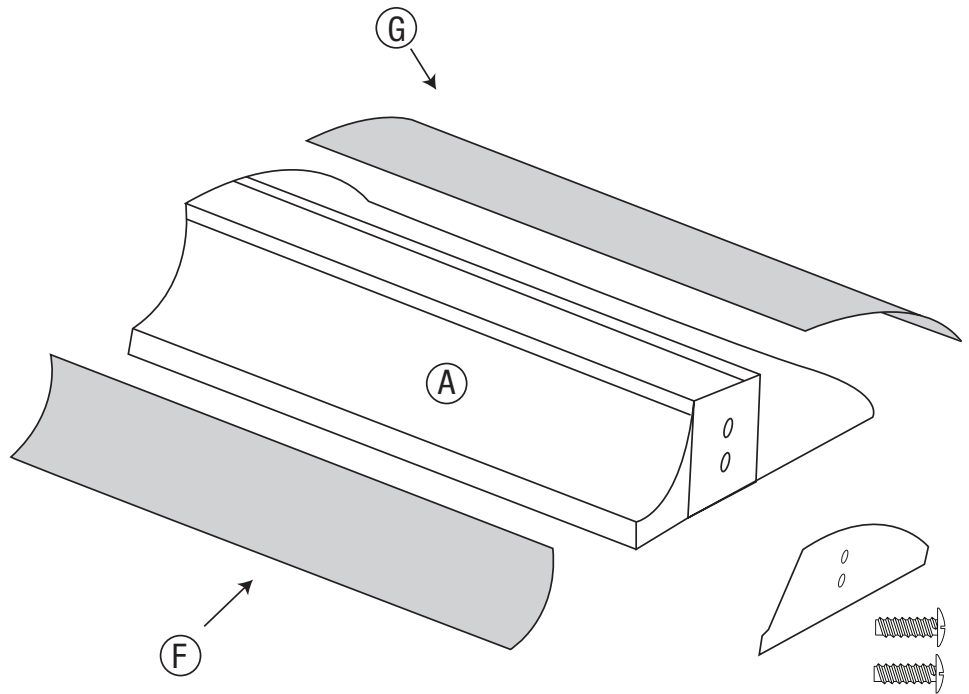
Trim size = 12" (w) x 6.375" (h)

Safe zone = 0.5"

Bleed size = 0.125



BACK SIDE GRAPHIC EXAMPLE -
Green area shows safe zone



PARKING SIDE GRAPHIC SIZES:

Overall size = 12.25" (w) x 2.625" (h)

Trim size = 12" (w) x 2.375" (h)

Safe zone = 0.375"

Bleed size = 0.125"



PARKING SIDE GRAPHIC EXAMPLE -
Green area shows safe zone



ART WORK SPECIFICATIONS

Accepted file types: .PDF (preferred), .JPG (.JPEG), .EPS and .TIF (.TIFF) files. All fonts must be outlined, images embedded and layers flattened.

Colors: CMYK Colorspace (Cyan, Magenta, Yellow, Black). Color type is process. Colors may differ in RGB mode.

Resolution: Must be at least 150 dpi for image files.

Bleed: Artwork must have a 1/8" (0.125") bleed extending past the trim line.

Safe zone: Do not put critical information or images outside the safe zone.

PopStops Marketing, Inc.

111 Second Avenue Northeast
Suite 1201

St. Petersburg, FL 33701 US

800-209-4571

info@popstops.com

MADE IN USA